



Sage 945RTS Specifications

Description

The Sage 945RTS is a complete telecommunications trunk test system in a compact, modular, rack-mount package. The 945RTS remotely performs on-demand and automatic testing on TDM and VoP networks. One 945RTS supports up to 32 simultaneous test sessions.



Standard Test Server

Standard Equipment

- 1 CPU
- UNIX OS
- 20 GB HD
- 48 volts DC power supply
- LAN interface

Scalability

Nine expansion slots available for test resources and/or T1 access cards
Mounting shelf fits two 945RTS units in 5RU X 19" rack space

Test Capabilities

Voice Band Testing

VF transmission tests (level, noise, return loss)
Complete suite of TIMS tests, per IEEE 743, for Fax/Modem circuit qualification

Voice Band Responders

- Type 100 near/far end
- Type 102 near/far end
- Type 105 near/far end
- Type 108

Echo Canceller Tests

- ATME responder (ITU-T O.22)
- Echo Sounder*
- Echo Generator*
- Absolute delay

Next Generation Tests

Perceptual Speech Quality Measurement (PSQM)

- PSQM score
- MOS score
- Round trip delay
- Audio level
- Completion time

Packet Voice Impairment Test*

- Voice frame loss
- Voice frame slips
- Voice clipping
- Comfort noise

Digital Testing

DS0

- DDS, Switched 56 and 64 Kbit
- BERT, loop up, loop down

DS1

- BERT, loop up, loop down
- DCS TAD/FAD interface

Additional Features

- DTMF, DP, MF signaling
- DCS interface and control
- Remote audio
- Quick connect modular wiring shelf system

*Available Q4 2001

Sage 945RTS Specifications, Continued

Processor Board

Intel Celeron 366 MHz
One Ethernet port
One serial port
SVGA port
PS/2 mouse and keyboard

Operating System

SCO OpenServer UNIX 5.X (5-User License)
Additional user licenses available

Drive Capacity

20 GB

Bus

10 slot standard ISA/PCI
Passive backplane

Alarm/System Management

Form-C Alarm Relay System
Multiple In-Band and Out-of-Band options

Power Supply

-48 VDC
120/240 VAC 50/60 Hz available

Rear Panel Connections

One DB-15HD SGVA video
One PS/2 keyboard
One PS/2 mouse
One DB-9 serial port (two DB-9 available*)
Five RJ45 T1 ports
Eight RJ45 for T1, 10/100BASE-T, or Token Ring
One terminal block alarm

Rack Mounting

Mid-mount for 19" and 23" standard racks
Quick disconnect system
One shelf accommodates two Sage 945RTS units

Cooling

Two 17 CFM (0.5 m³/min)
One 43 CFM (1.2 m³/min)
50,000-hour ball bearing ventilation fans allow no more than 10°C rise above ambient temperature

Weight

14.9 lbs. (6.76 kg) with power supply, fan, backplane, and faceplate

Dimensions

5 RU (H)
8.75" (H) x 8.75" (W) x 16.91" (D),
17.9" (D) with handle
22 cm (H) x 22 cm (W) x 43 cm (D),
45 cm (D) with handle

Compliance

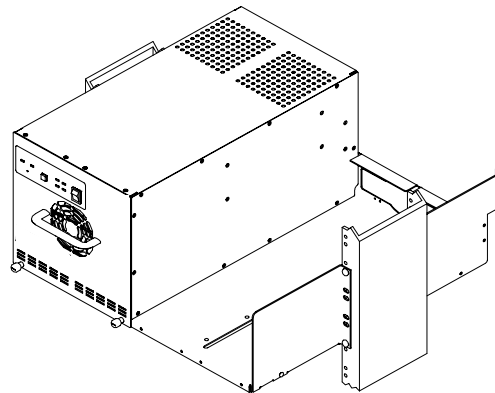
Safety: UL 1950, CSA C22.2 No. 950
IEC 60950/EN 60950

Emissions: FCC Part 15, Class A
EN 55022/CISPR 22 Class A
IEC 61000-3-2 Harmonics
IEC 61000-3-3 Flicker

Immunity: IEC 61000-4-2—ESD
IEC 61000-4-3—Radiated RF
IEC 61000-4-4—EFT

Certifications: UL, C-UL, CE

NEBS: Level 3 compliant



Quick Disconnect Mounting System

*Available Q4 2001